

Nokia Customer Care

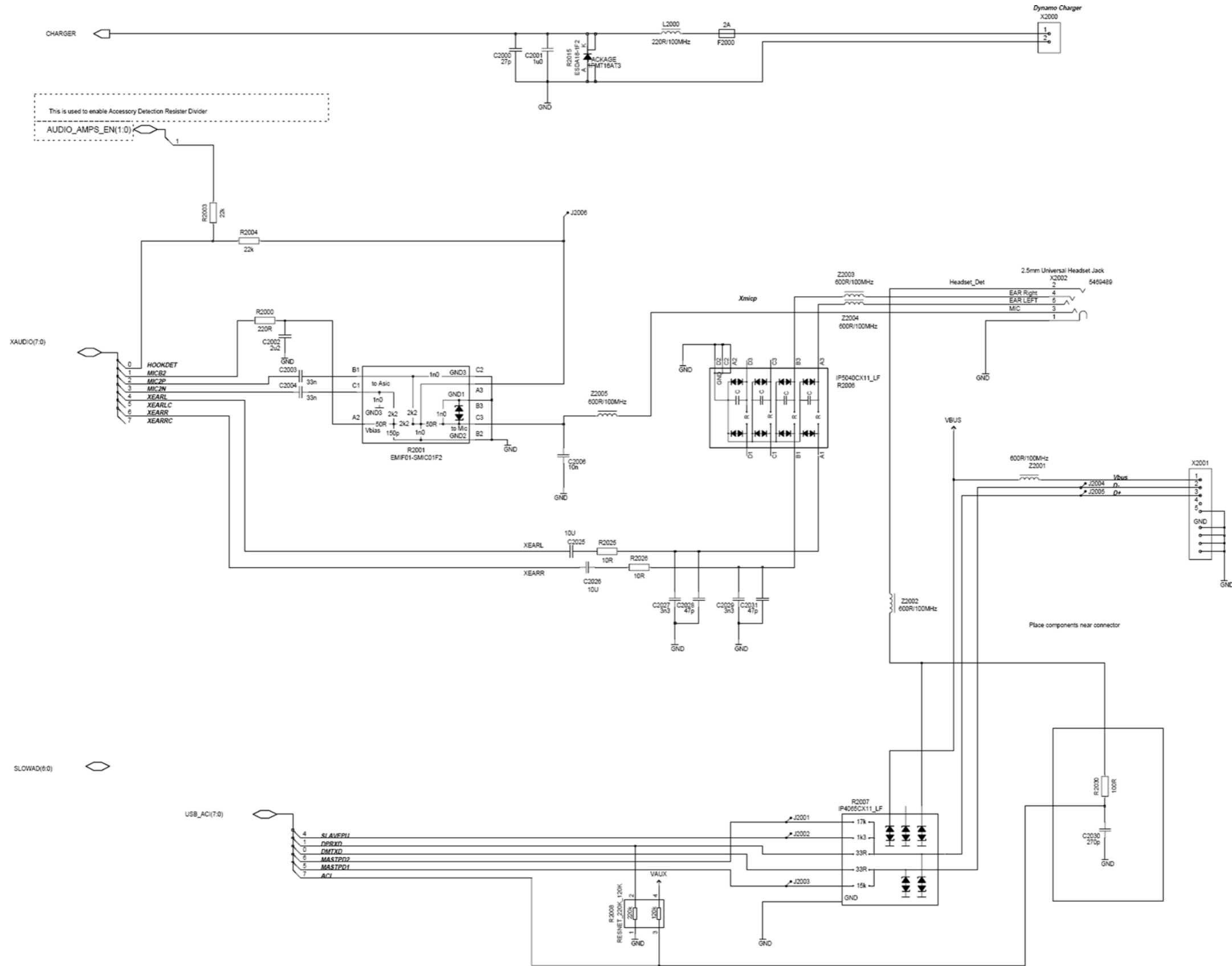
9 — Schematics

(This page left intentionally blank.)

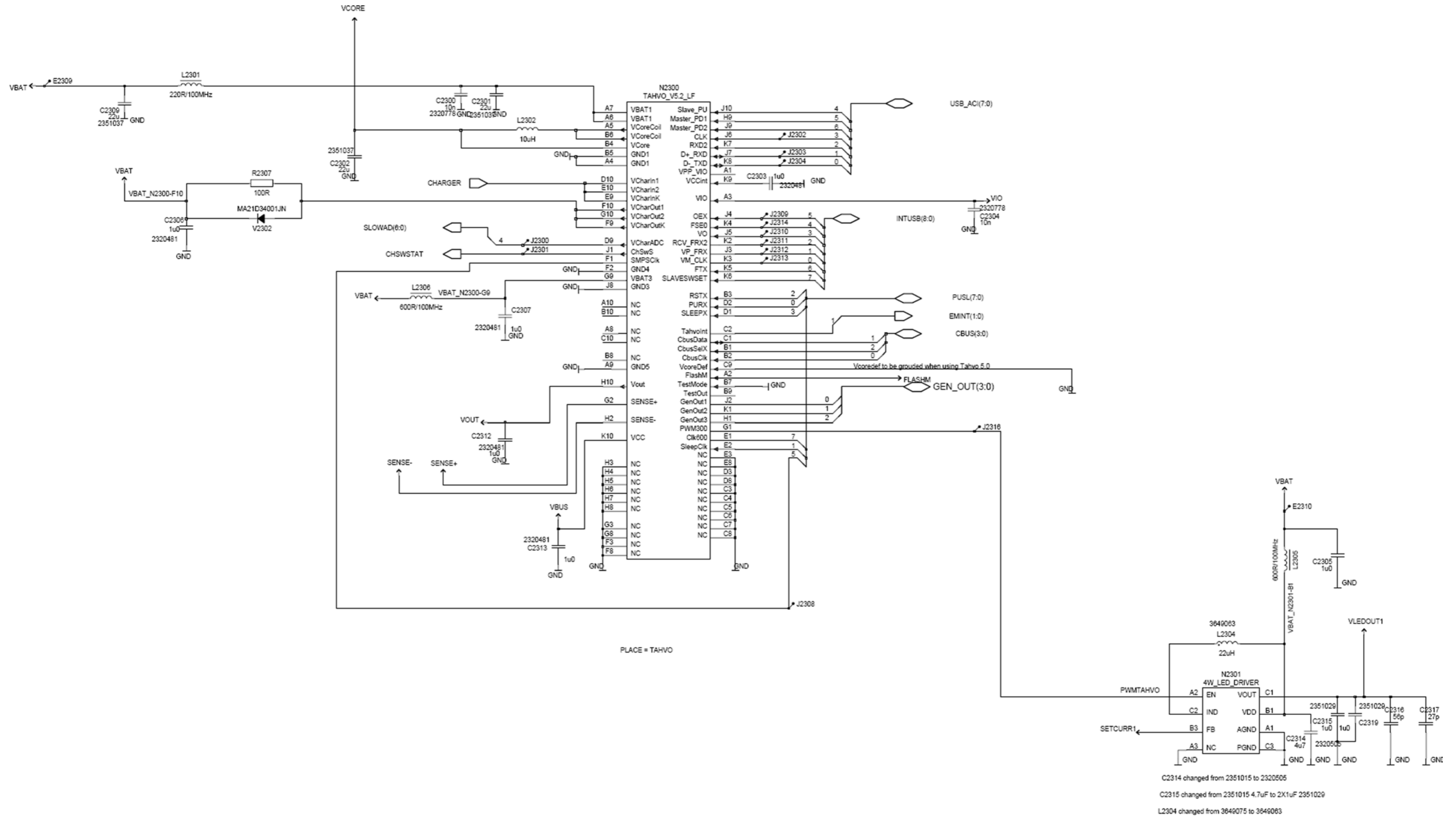
Table of Contents

System connector.....	9-4
RETU.....	9-5
TAHVO.....	9-6
RAPGSM.....	9-7
Bluetooth.....	9-8
UI part 1.....	9-9
UI part 2.....	9-10
RF part.....	9-11
Audio, IHF, Vibra.....	9-12
SIM interface.....	9-13
IrDA interface.....	9-14
MMC interface.....	9-15
CMT memories.....	9-16
Camera.....	9-17

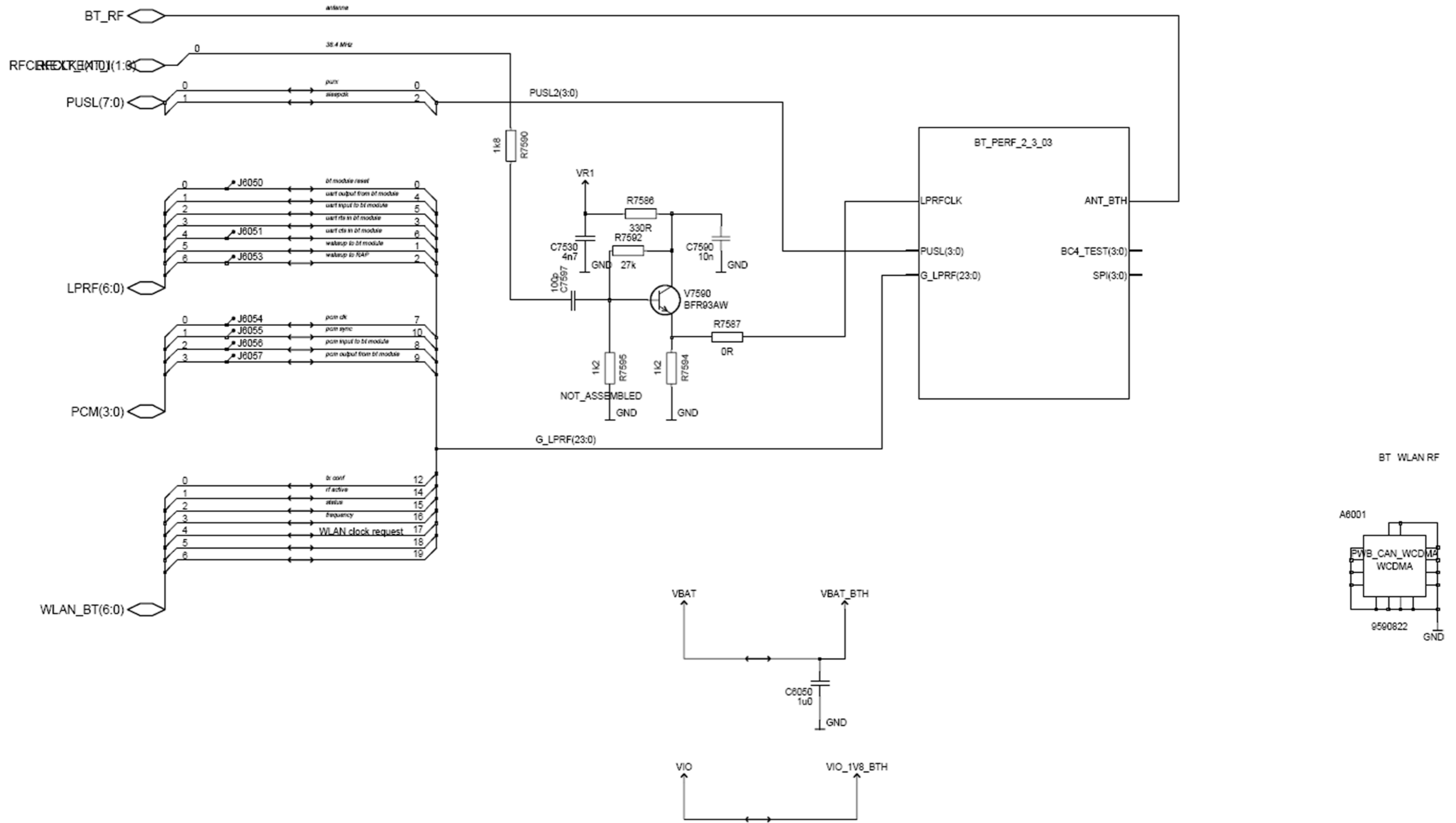
■ System connector



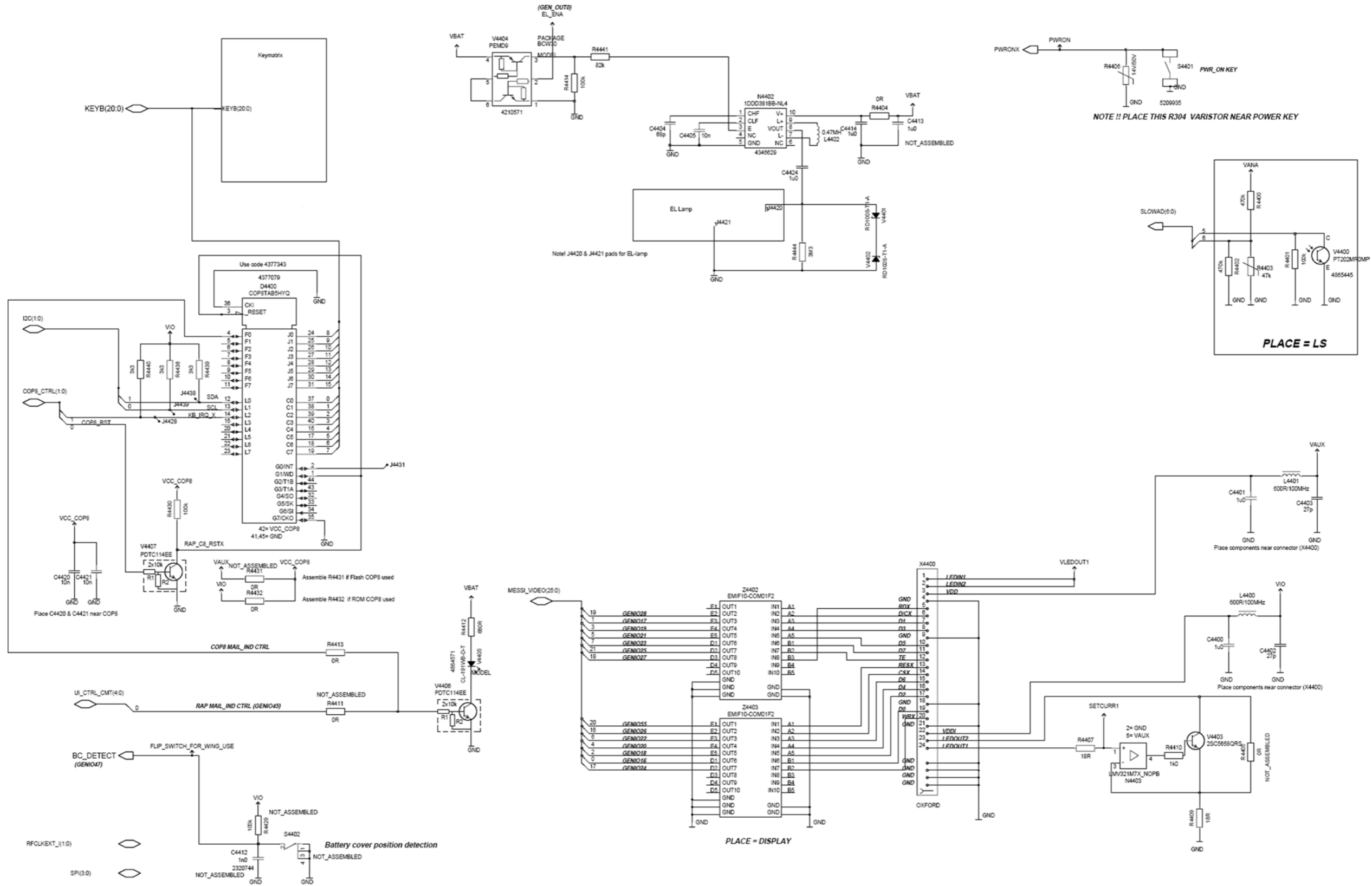
■ **TAHVO**



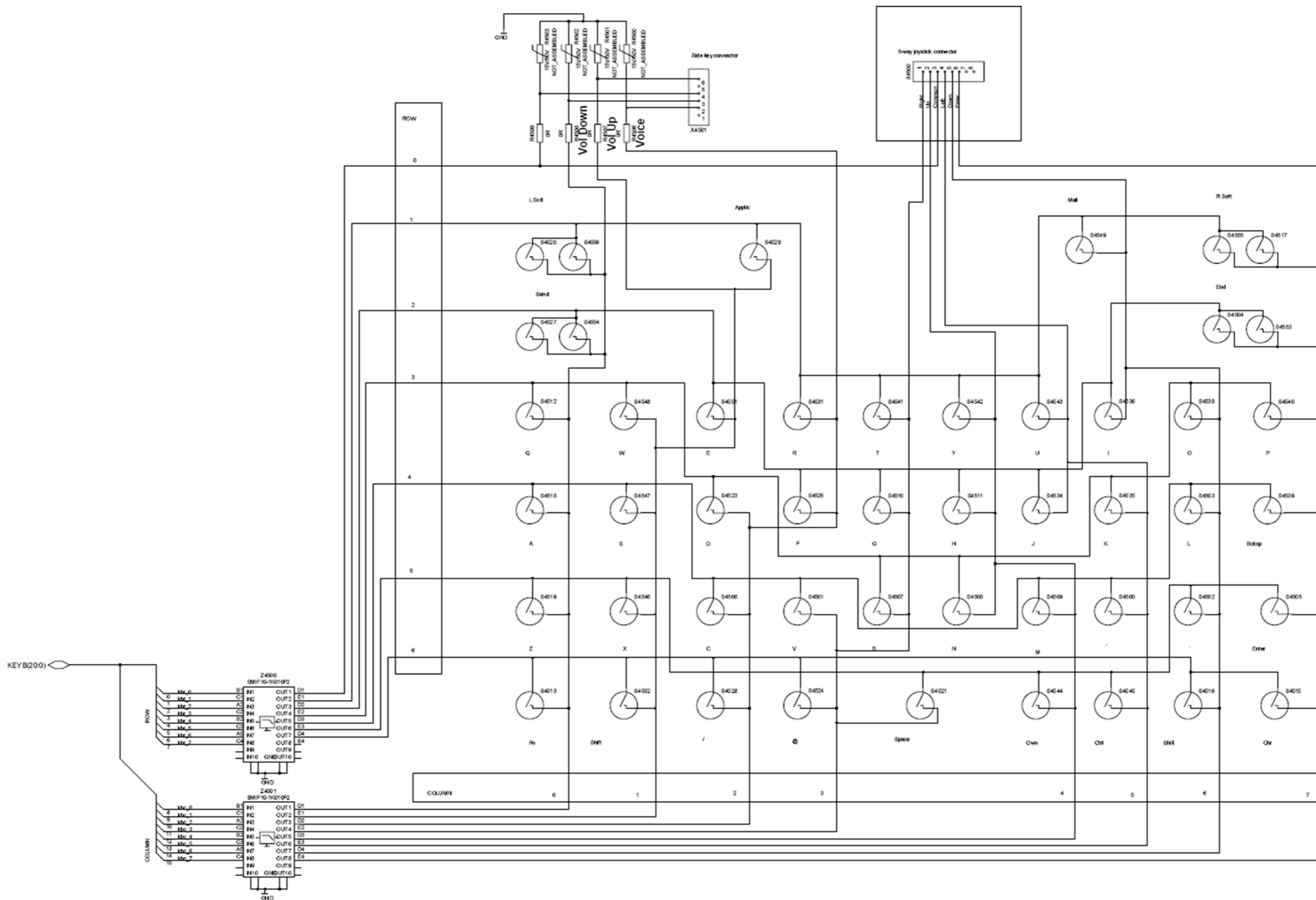
■ Bluetooth



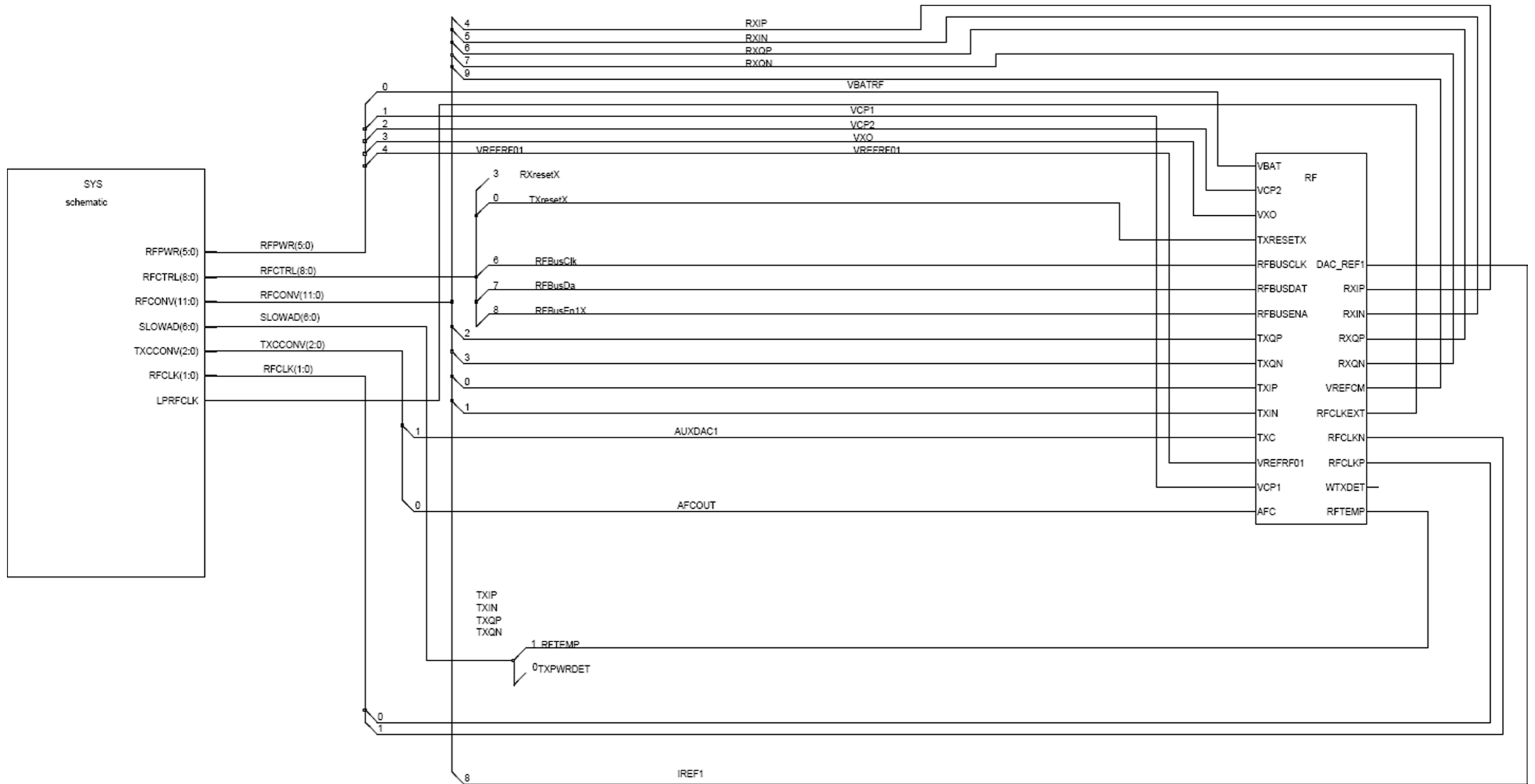
UI part 1



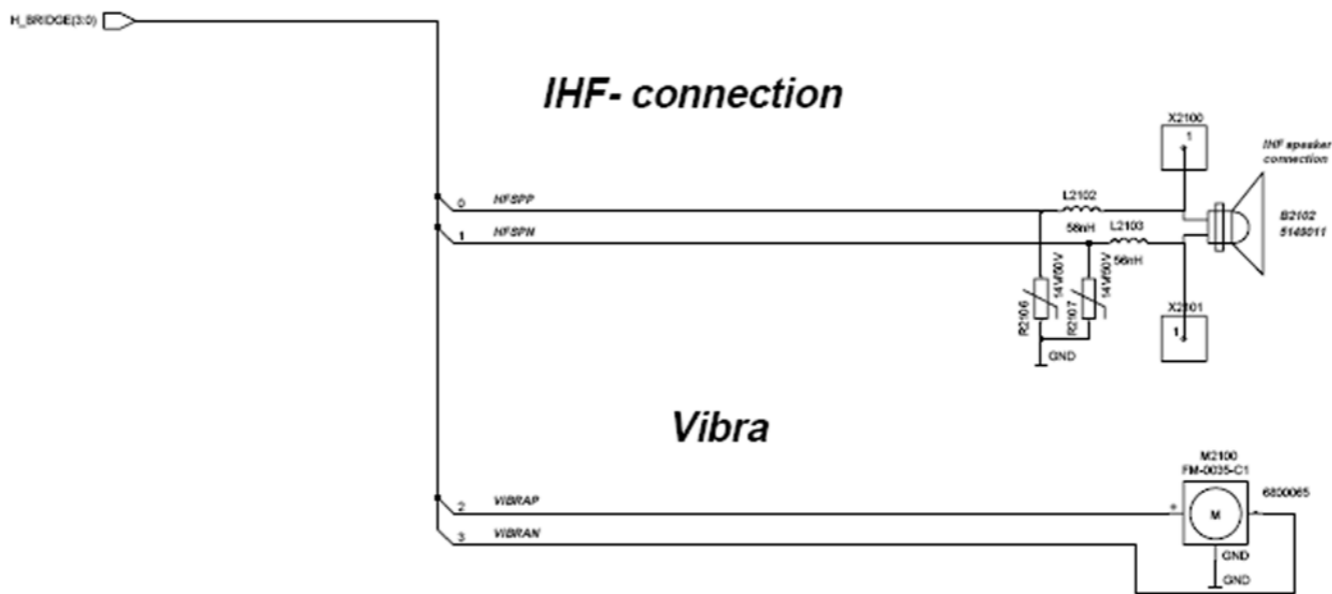
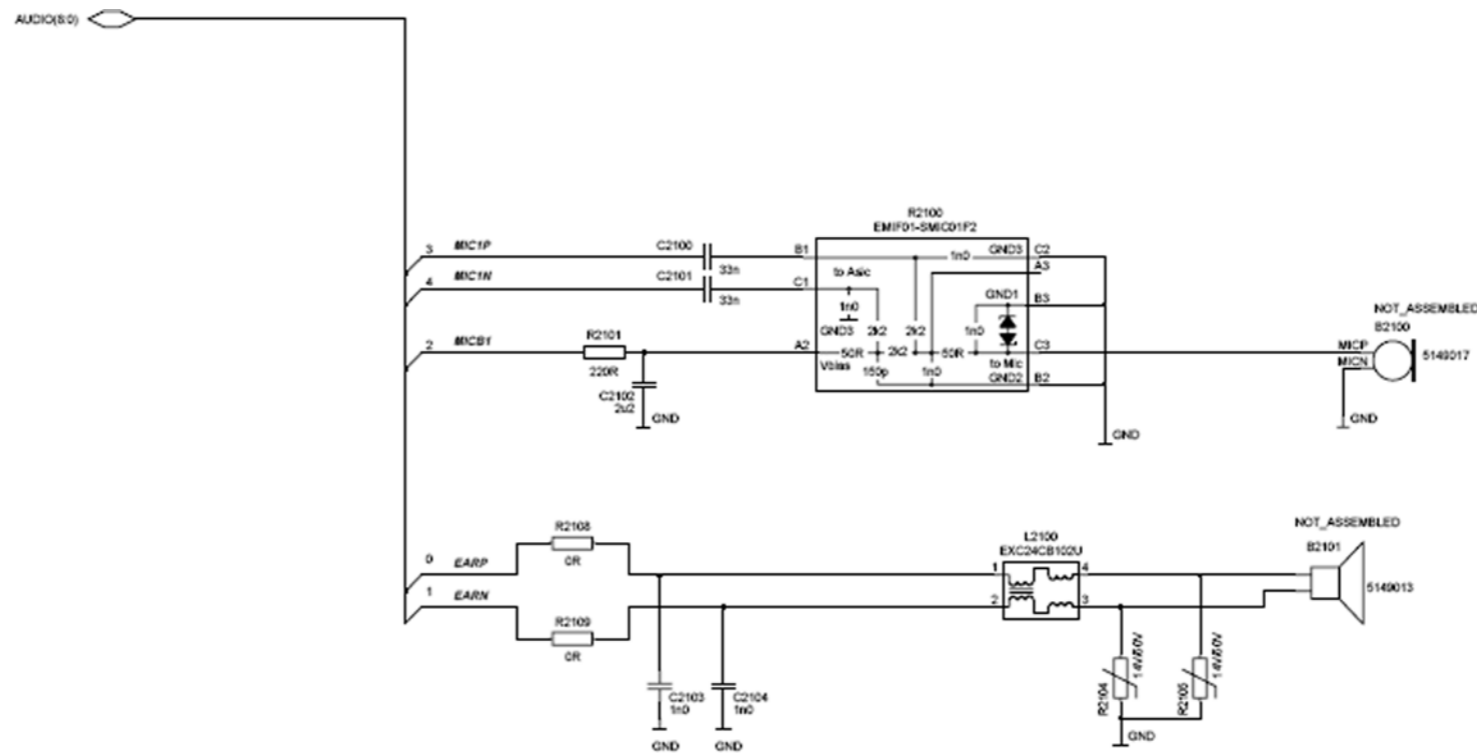
■ UI part 2



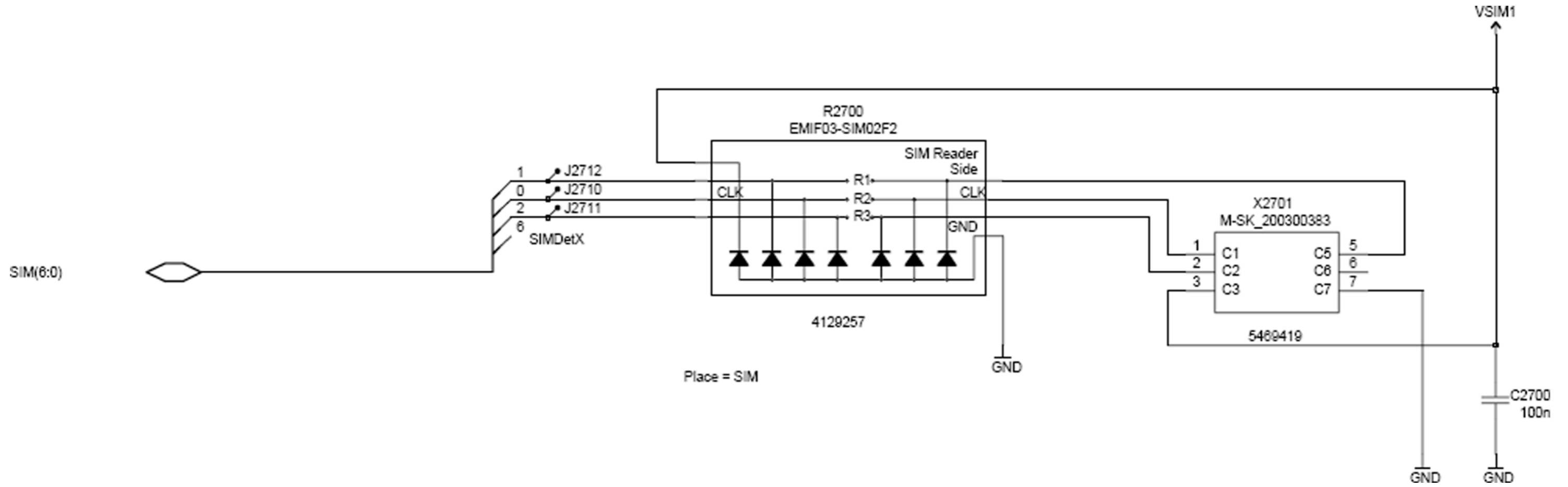
■ RF part



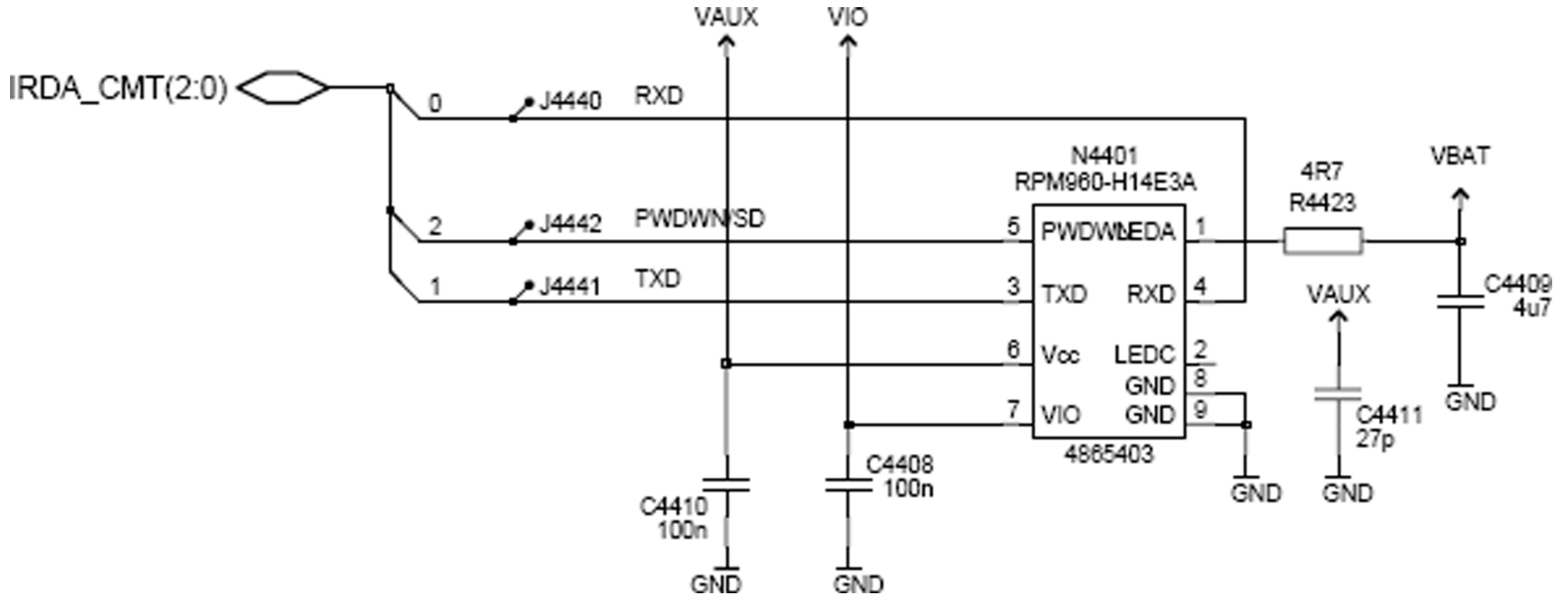
■ Audio, IHF, Vibra



■ SIM interface



■ IrDA interface



■ Camera

UI_CTRL_CMT(4:0)



I2C(1:0)



CCP_CMT(3:0)



CAM_CTRL_CMT(4:0)



